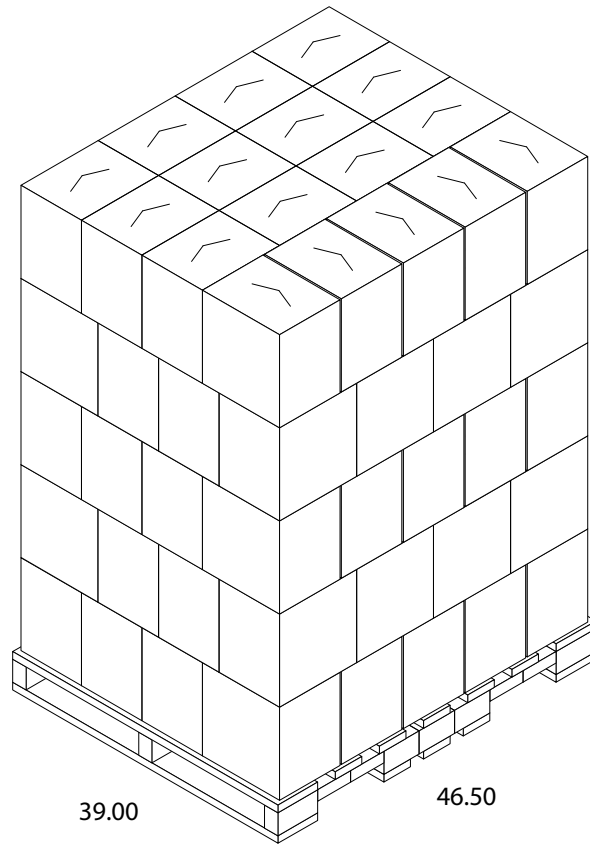
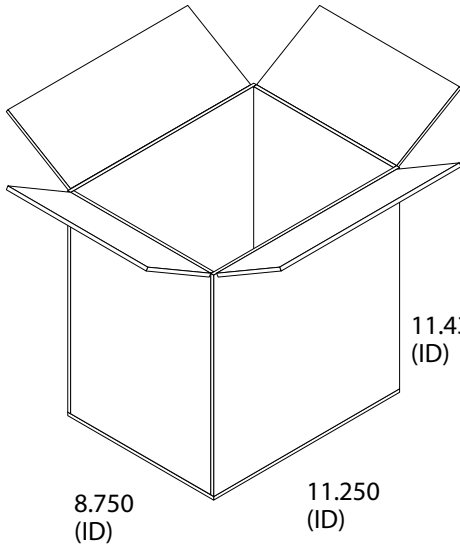


Baron Spices 25#



GMA (Notched) 48.00x40.00x5.00

	Shipper (ID)	Shipper (OD)	UnitLoad (Incl. Pal)
Ln:	11.250 in	11.625 in	46.50 in
Wd:	8.750 in	9.125 in	39.00 in
Ht:	11.438 in	12.188 in	65.94 in
Net:		25.00 lb	2125.00 lb
Grs:		25.00 lb	2190.00 lb
Cube:	0.652 ft3	0.748 ft3	69.200 ft3
		Height Vert	
Prod.Vol:	0.000 in3		0.000 ft3
Shipper:			85
Area Efficiency:		0.0 %	93.9 %
Cubic Efficiency:		0.0 %	88.1 %
Prod.Eff:	0.0 %	0.0 %	0.0 %
Cases per layer:			17
Layers/load:			5
Pattern:			Interlock
RSC Area:		6.14 ft2	522 ft2
Density (gr/cc):			0.5352
Max UL High:			4
C clamp Direction:			N/A
Board:		250-MULLEN 42-26M-69-C	

Notes: