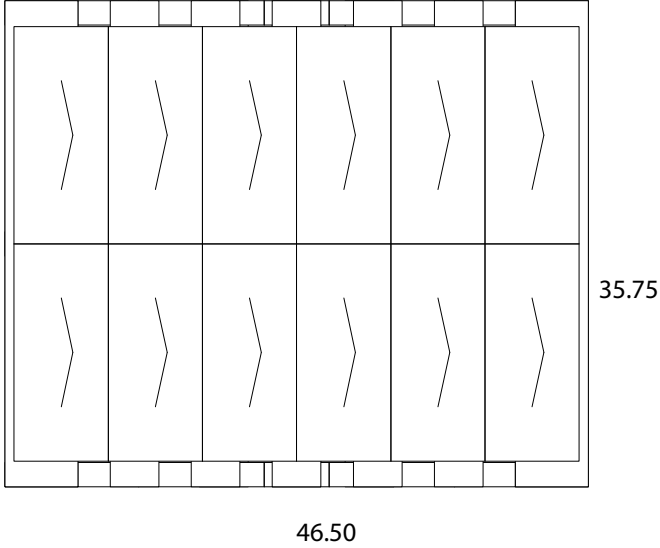
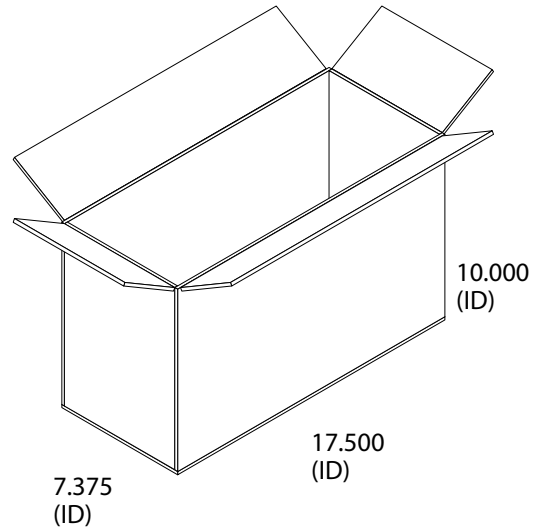
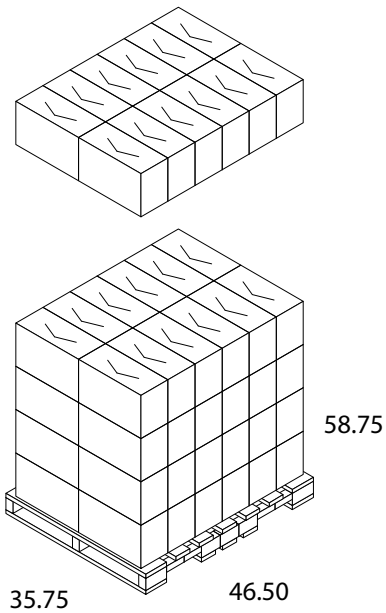


Baron Spices 3/5#

GMA (Notched) 48.00x40.00x5.00



	Shipper (ID)	Shipper (OD)	UnitLoad (Incl. Pal)
Ln:	17.500 in	17.875 in	46.50 in
Wd:	7.375 in	7.750 in	35.75 in
Ht:	10.000 in	10.750 in	58.75 in
Net:		0.00 lb	0.00 lb
Gr:		30.00 lb	1865.00 lb
Cube:	0.747 ft <sup>3</sup>	0.862 ft <sup>3</sup>	56.519 ft <sup>3</sup>
Prod.Vol:	0.000 in <sup>3</sup>		0.000 ft <sup>3</sup>
Shipper:			60
Area Efficiency:		0.0 %	86.6 %
Cubic Efficiency:		0.0 %	77.6 %
Prod.Eff:	0.0 %	0.0 %	0.0 %
Cases per layer:			12
Layers/load:			5
Pattern:			Column
RSC Area:		6.58 ft <sup>2</sup>	395 ft <sup>2</sup>
Density (gr/cc):			0.5576
Max UL High:			4
Clamp Direction:			N/A



Notes: