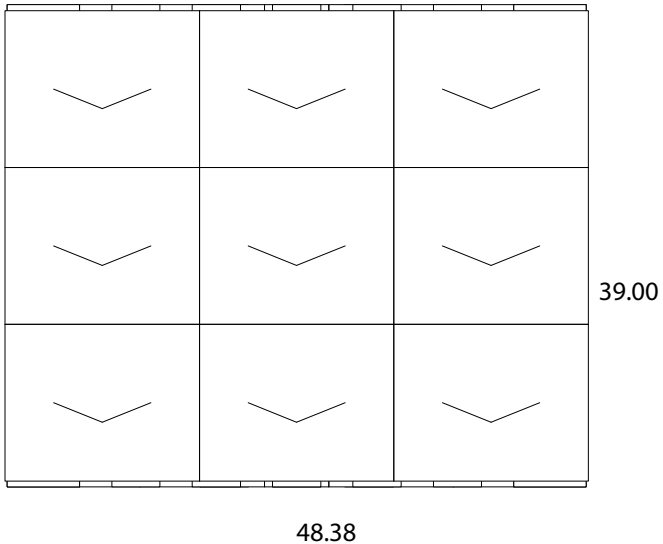
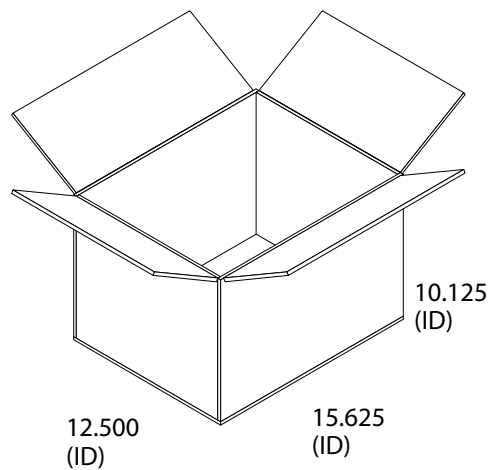
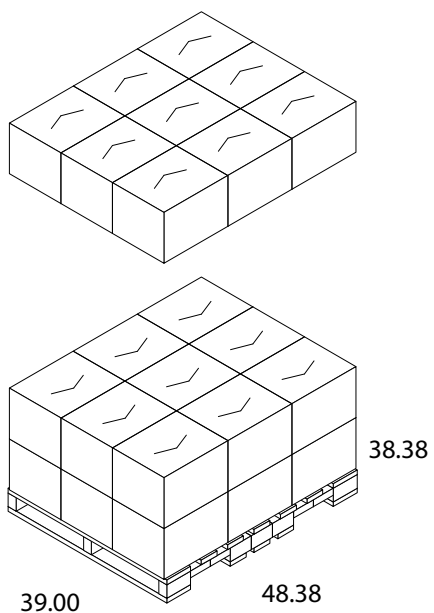


Baron Spices 50 LB

GMA (Notched) 48.00x40.00x5.00



|                   | Shipper (ID) | Shipper (OD) | UnitLoad (Incl. Pal) |
|-------------------|--------------|--------------|----------------------|
| Ln:               | 15.625 in    | 16.125 in    | 48.38 in             |
| Wd:               | 12.500 in    | 13.000 in    | 39.00 in             |
| Ht:               | 10.125 in    | 11.125 in    | 38.38 in             |
| Net:              |              | 50.00 lb     | 1350.00 lb           |
| Gr:               |              | 50.00 lb     | 1415.00 lb           |
| Cube:             | 1.144 ft3    | 1.350 ft3    | 41.898 ft3           |
| Prod.Vol:         | 0.000 in3    |              | 0.000 ft3            |
| Shipper:          |              |              | 27                   |
| Area Efficiency:  |              | 0.0 %        | 98.3 %               |
| Cubic Efficiency: |              | 0.0 %        | 76.3 %               |
| Prod.Eff:         | 0.0 %        | 0.0 %        | 0.0 %                |
| Cases per layer:  |              |              | 9                    |
| Layers/load:      |              |              | 3                    |
| Pattern:          |              |              | Column               |
| RSC Area:         |              | 9.76 ft2     | 263 ft2              |
| Density (gr/cc):  |              |              | 0.5934               |
| Max UL High:      |              |              | 4                    |
| Clamp Direction:  |              |              | N/A                  |



Notes: