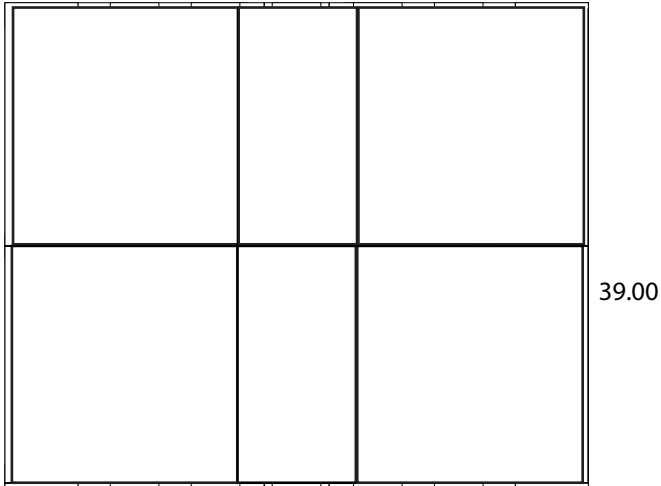


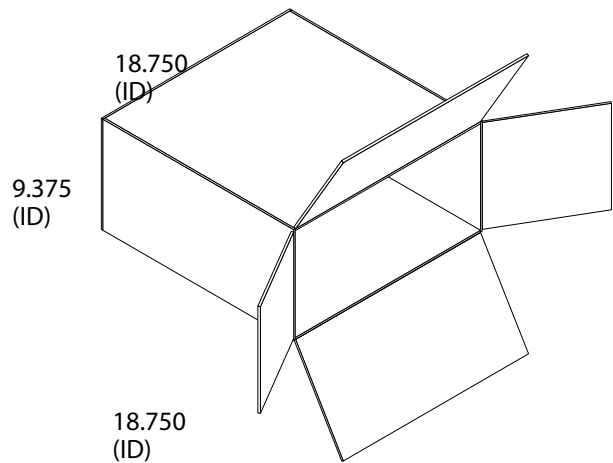
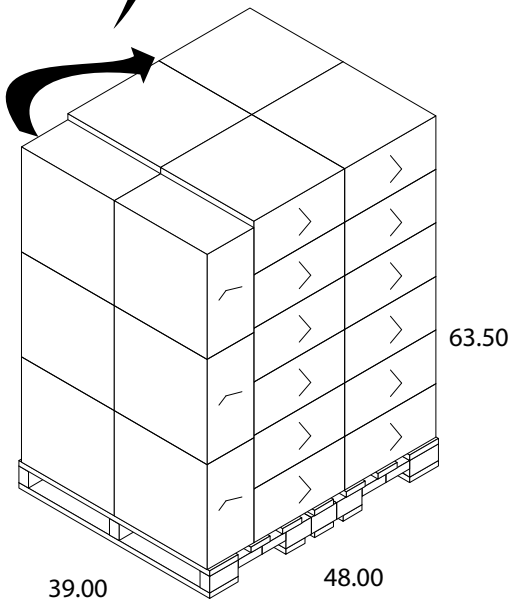
Baron Spices #7 Master

GMA (Notched) 48.00x40.00x5.00



Boxes On Edge
Go In Center
See Above

	Shipper (ID)	Shipper (OD)	UnitLoad (Incl. Pal)
Ln:	9.375 in	9.750 in	48.00 in
Wd:	18.750 in	19.125 in	39.00 in
Ht:	18.750 in	19.500 in	63.50 in
Net:		0.00 lb	0.00 lb
Grs:		7.00 lb	275.00 lb
Cube:	1.907 ft3	2.104 ft3	68.792 ft3
Prod.Vol:	0.000 in3		0.000 ft3
Shipper:			30
Area Efficiency:		0.0 %	0.0 %
Cubic Efficiency:		0.0 %	94.7 %
Prod.Eff:	0.0 %	0.0 %	0.0 %
Cases per layer:			6
Layers/load:			5
Pattern:			Multi Surface
RSC Area:		15.49 ft2	465 ft2
Density (gr/cc):			0.0533
Max UL High:			4
Clamp Direction:			N/A



Notes: